

LD51-C1

Surface Mounted Adjustable Spotlight

Install sheet - Page 1

SPECIFICATION

LED surfaced mounted luminaires are class III for Safety Extra Low Voltage **DC** supply. The product should only be used with a supplied or LightGraphix approved **350mA, 500mA or 700mA** constant current driver.

Suitable for mounting on normally flammable surfaces.

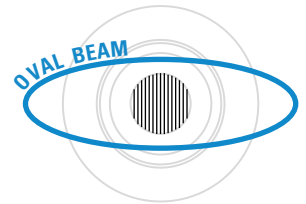
Lamp: **C1 LED Engine.**

This fitting is **IP67** rated.

Lumen Maintenance: L90B5 at 90,000hrs.

/OB

Oval Beam Orientation

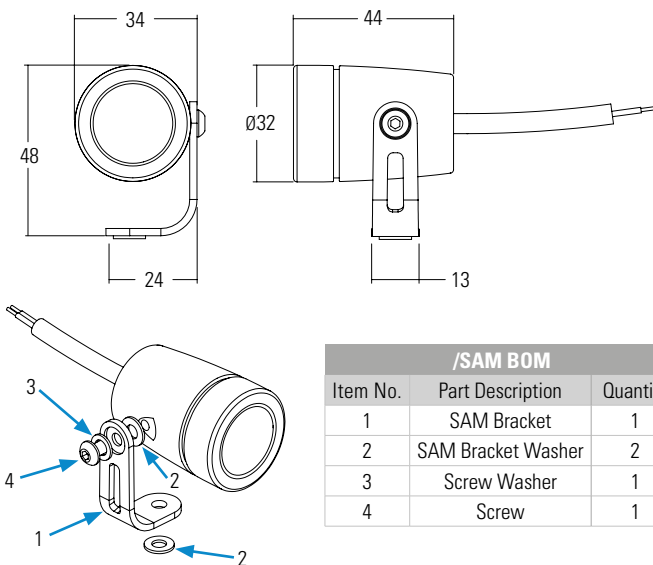


Wall/Lit Surface

LD51 - C1			
Product & LED Output Code	Power Output	Max Ambient	Energy Class
LD51-C1-350	350mA 1.2W	-20°C to 50°C	E
LD51-C1-500	500mA 1.7W		E
LD51-C1-700	700mA 2.4W		F

DIAGRAM

/SAM



INSTALLATION

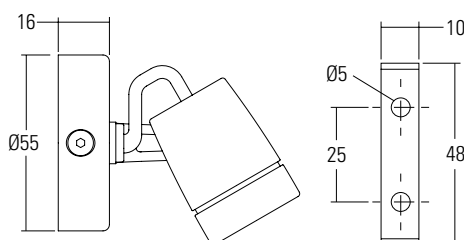
/SAM

1. Mount SAM bracket to surface using an appropriate screw (Screw not supplied), placing the washer in between the SAM bracket and the mounting surface.
2. Arrange the remaining washers and screws as shown in the image below (the screw washer should sit within the rebate on the SAM bracket).
3. Attach the head, focus in desired direction and tighten SAM bracket screw. Tighten to 1nm or until it is well-tightened, using a 3mm Allen Key. Leave for 30mins for the Thread-Lock to seal around the thread before making any further adjustments.
4. Wire the luminaire to a specified driver. Ensure the power is turned off prior to making the connection.

NOTE: Connections in wet environments. Make IP68 connection to stop water travelling up the cables into the fittings! Refer to IP connection sheet for further details.

DIAGRAM

/SMB



INSTALLATION

/SMB

1. Fix /SMB Bracket to mounting surface.
2. Wire the luminaire to a specified driver. Ensure the power is turned off prior to making the connection. **NOTE: Connections in wet environments. Make IP68 connection to stop water travelling up the cables into the fittings! Refer to IP connection sheet for further details.**
3. Replace the LD51 and / SMB to the bracket using the provided M4 x 8mm CSK head screws.
4. Use a 3mm Allen key to adjust the spotlight's tilt into the desired position.

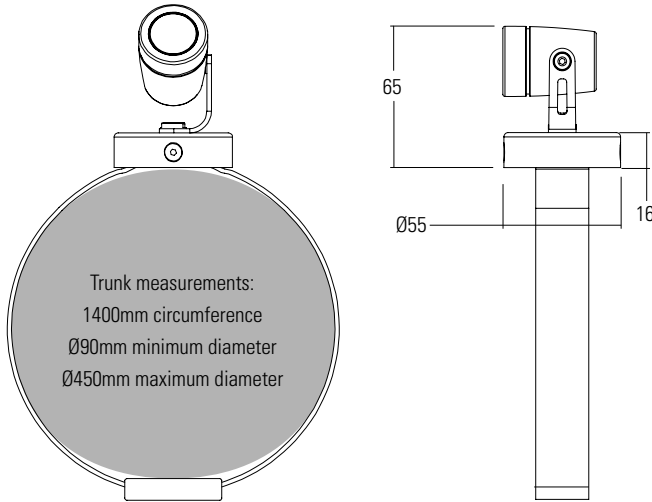
LD51-C1

Surface Mounted Adjustable Spotlight

Install sheet - Page 2

DIAGRAM

/TS



INSTALLATION

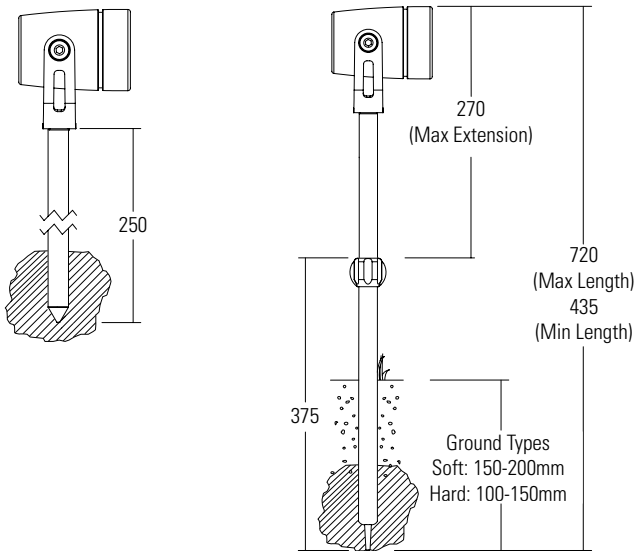
/TS

1. Loop tree strap in and out of the bracket.
2. Position the fitting in to its desired position on the tree trunk.
3. Fasten fitting to tree. Tightening strap so that the fitting won't move.
4. Wire luminaire to a specified driver. Ensure the power is turned off prior to making the connection. **NOTE: Connections in wet environments. Make IP68 connection to stop water travelling up the cables into the fittings! Refer to IP connection sheet for further details.**
5. Use a 3mm Allen key to adjust the spotlight's tilt into the desired position.

DIAGRAM

/GS

/GSA



INSTALLATION

/GS & /GSA

1. Please follow the guidelines stated left to ensure that the following suffixes (/GS & /GSA) remain upright and secure in place. (Product not intended as a portable luminaire, please secure with concrete to allow for permanent installation).
2. Wire the luminaire to a specified driver. Ensure the power is turned off prior to making the connection. **NOTE: Connections in wet environments. Make IP68 connection to stop water travelling up the cables into the fittings! Refer to IP connection sheet for further details.**

INSTALLATION

/CO

1. Make sure that the cowl and O-Ring is free of grit and dirt before installing.
2. Fit the cowl O-ring into the groove.
3. Firmly grip the LD51 and push the cowl on to the fitting. Rotate the cowl into the desired position.

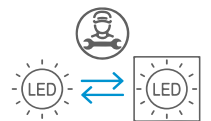
SEE CONSTANT CURRENT WIRING SHEET FOR IN SERIES WIRING DIAGRAM

Do not power up until fitting is wired correctly! Constant current LEDs must be wired in series, polarity is critical. Please refer to specified driver sheet for details on the minimum and maximum number of LEDs per circuit.

CORE COLOUR & POLARITY		
Colour of Cable	Red	Black
Polarity	+	-

END OF LIFE

This fitting contains a replaceable (LED only) light source, that must be replaced by a professional. If the product has come to the end of its life or is in need of repair please contact LightGraphix or your preferred recycling scheme.



IMPORTANT

Make sure that all cables and connections are securely connected before switching on the power. Failing to do this can lead to failure of the LEDs and/or the driver. If the LEDs do not work upon power up, turn off the power source immediately and check the polarity of the wiring. To reduce the risk of strangulation the flexible wiring connected to this luminaire shall be effectively fixed to the wall if the wiring is within arm's reach. Any attempt made to open up and/or modify the luminaire will invalidate the manufacturers warranty. This is inclusive of but not limited to removal of the LightGraphix product label or removal of any parts from the main body of the product including bezels, electrical components and factory fitted fixing methods (unless otherwise stated in these instructions). Luminaire should be wired no further than 30 meters away from a SELV constant current LED driver (based on a 1mm squared cross sectional cable). Forward voltage of luminaire is 18VDC, if wired in series UOOUT of LED driver and luminaire circuit should not exceed 60VDC. Terminal block not included. Installation must be performed by a qualified person. For connections made in dry environments 2 x Wago 221-2411 or connections with similar specifications are recommended. For damp or wet environments a connector of the same electrical specification but with a suitable IP rating should be used.

MAINTENANCE

Clean with soft damp cloth
LED: Please contact LightGraphix
O-ring replacement part numbers: Outer O-ring 17.0065

CONNECTION

- Wire Connection Method: Clamp
- No. of Positions: 1Way
- Rated Voltage: 450V
- Rated Current: 32A
- Wire Size (stranded): 18 - 14AWG